

# ELECTRICAL MOTOR REPAIR COMPANY

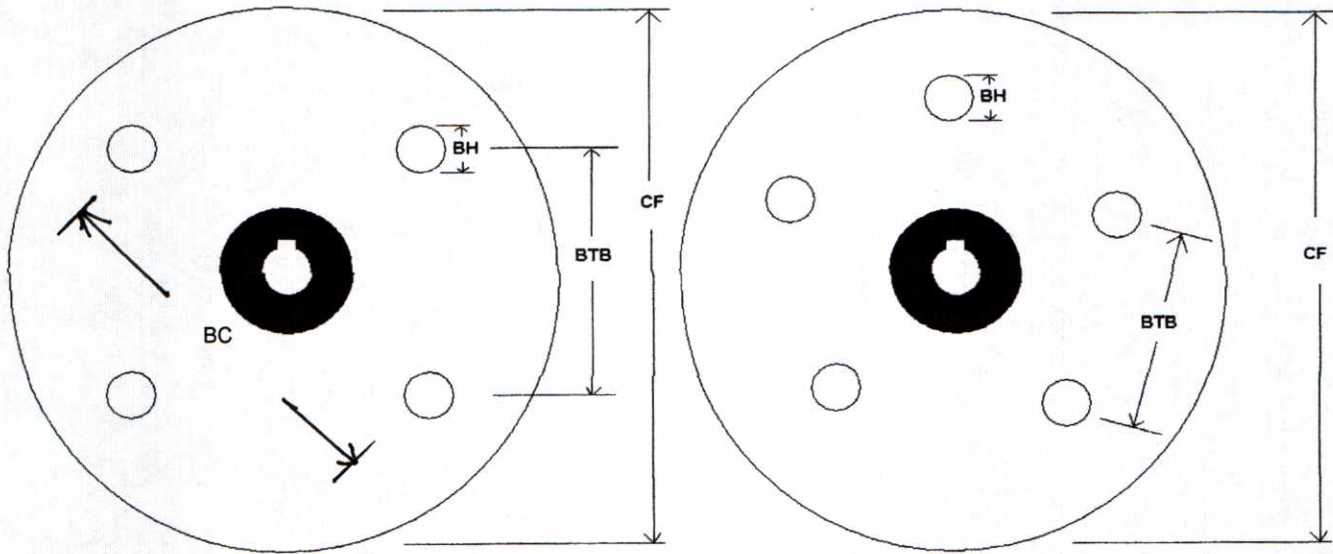
809 E. State Street • P.O. Box 3787 • Trenton, N.J. 08629

(609) 392-6149

elevatormotor.com

Fax (609) 392-7079

## Coupling Survey



1. Job Name: \_\_\_\_\_

2. Machine Type & Style \_\_\_\_\_

3. Dimensions

Coupling Flange Diameter CF= \_\_\_\_\_

Number of Mounting Bolts \_\_\_\_\_

Bolt Size \_\_\_\_\_

Bolt Hole Diameter BH= \_\_\_\_\_

Center Bolt to Center Bolt BTB= \_\_\_\_\_

Bolt Circle BC \_\_\_\_\_

